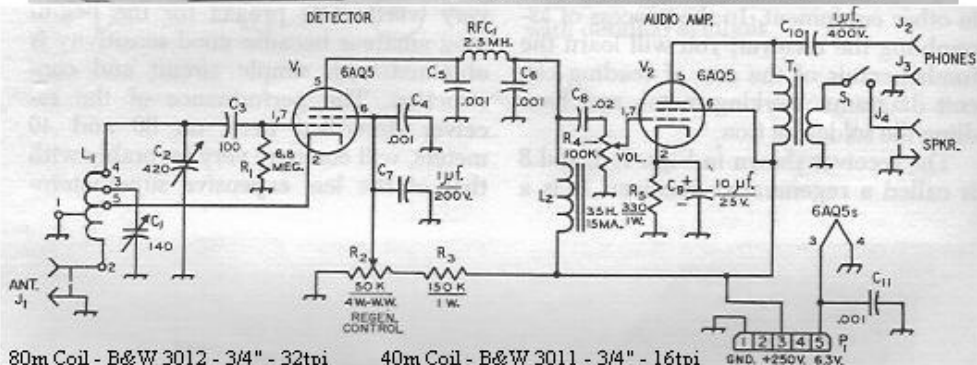


How to BECOME A RADIO AMATEUR

ARRL Publication, 1967, 24TH Edition

A Two-Tube Receiver for the Beginner

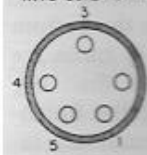
Originally published in QST June 1956 - W1TS



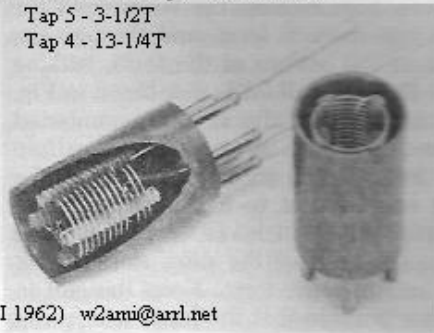
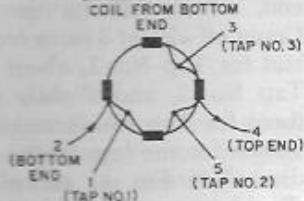
80m Coil - B&W 3012 - 3/4" - 32tpi
 Tap 1 - 2-7/8T Tap 5 - 4-1/2T
 Tap 3 - 11-1/8T Tap 4 - 21-1/2T

40m Coil - B&W 3011 - 3/4" - 16tpi
 Tap 1 - 2-7/8T Tap 5 - 3-1/2T
 Tap 3 - 6-3/8T Tap 4 - 13-1/4T

LOOKING DOWN INTO COIL FORM



LOOKING THROUGH COIL FROM BOTTOM END



Built by Bob Mattson W2AMI (WN2AMI 1962) w2amu@arll.net